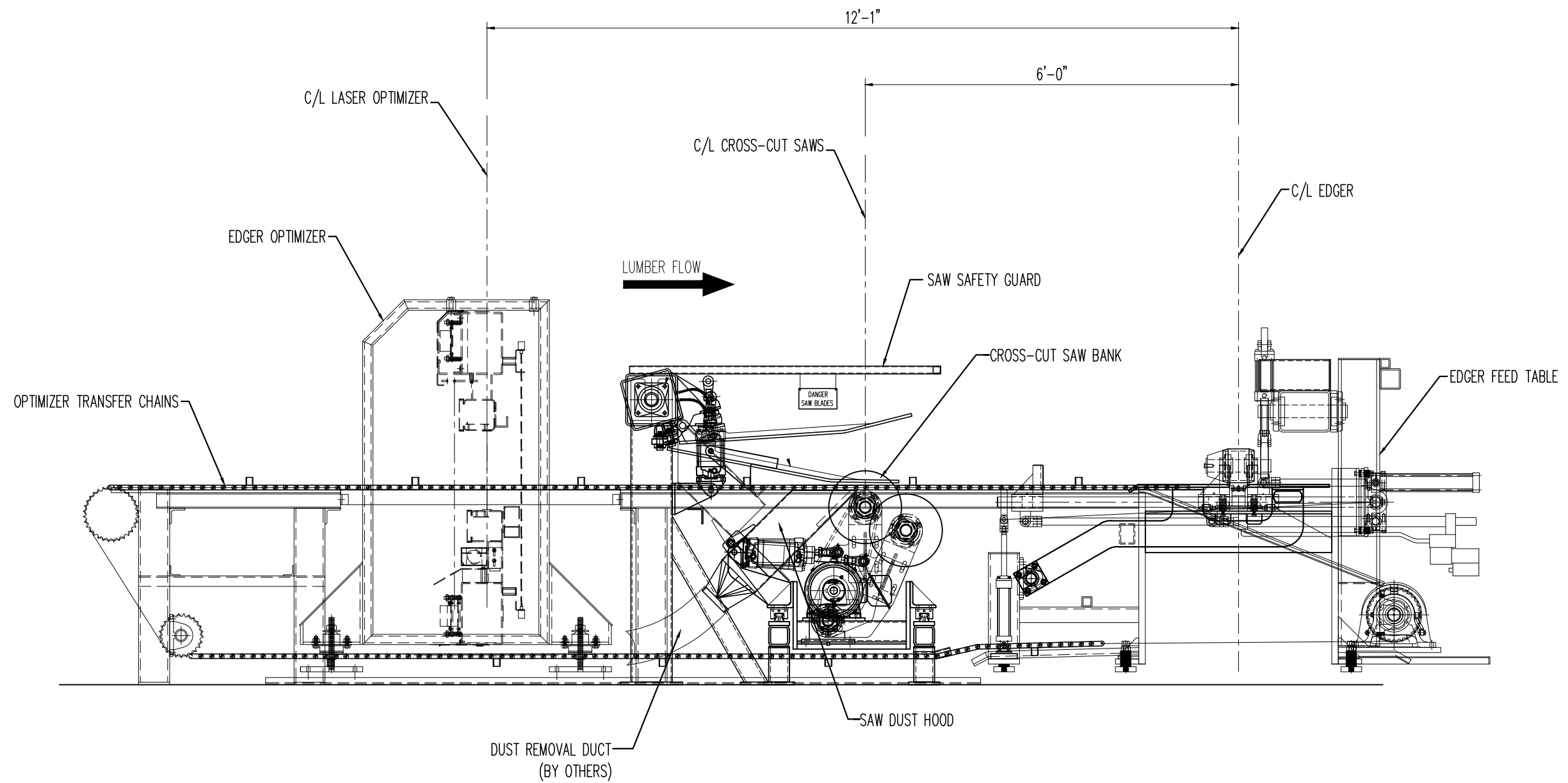


Fig. 1



SCALE SHOWN IS FOR 22"x34" PRINTS		EDGER CROSS-CUT SYSTEM ELEVATION LAYOUT	
SCALE: 0'-1" = 1'-0"	DATE	JOB NUMBER:	
DRAWN BY: T. EFIRD	4/13/12	DRAWING NUMBER: G300-00	
ISSUED BY:		REV.	
REFERENCE DRAWING NUMBER:			

REV	DESCRIPTION	BY	DATE